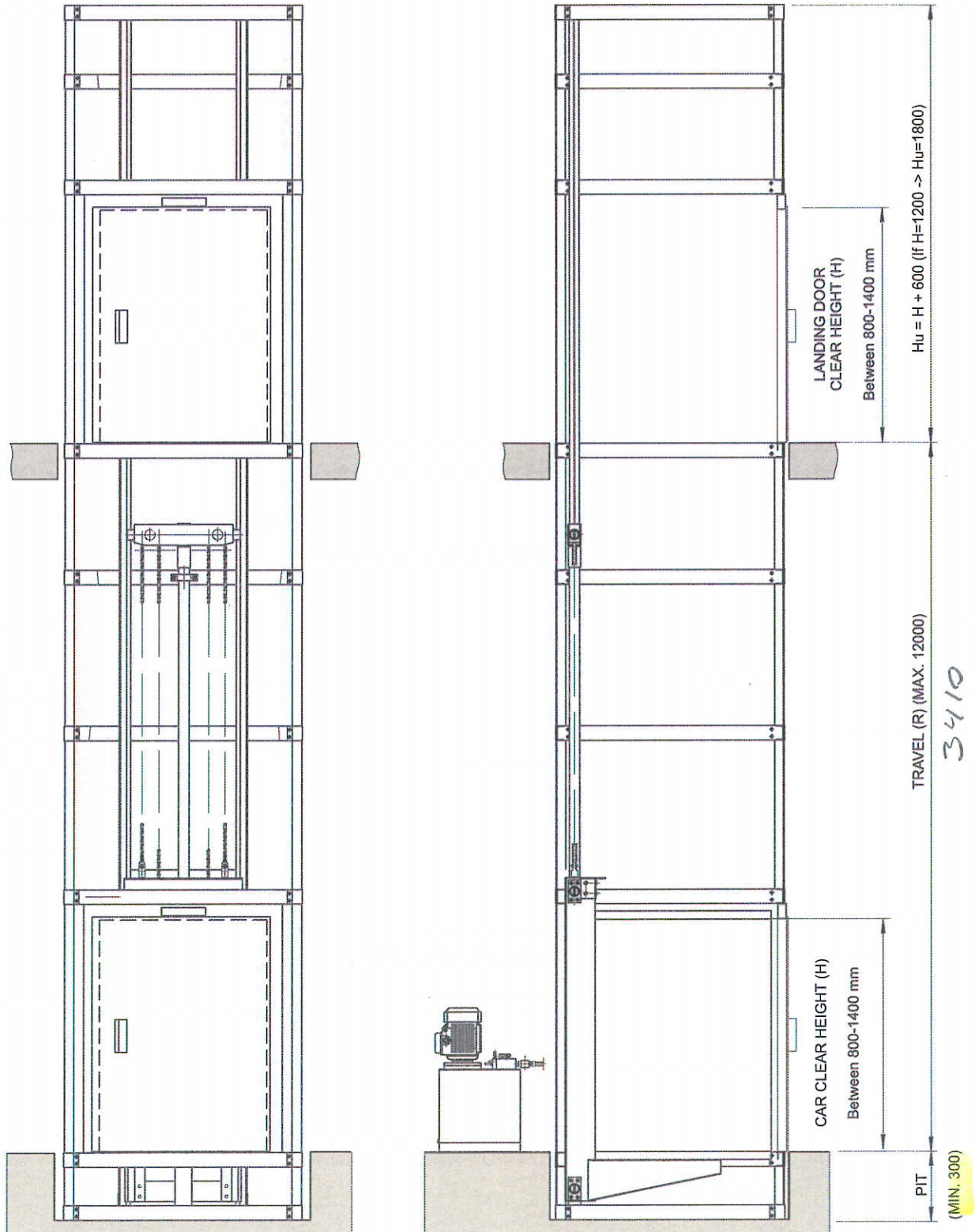


Figure 1. Minimum shaft dimensions.
 Front view hydraulic.

www.AXHISS.dk
 Valmuemarken 33
 9000 Aalborg
 Tlf. 70 20 05 42 • Fax. 70 20 05 46
 mail@AXHISS.dk



Uden skakt

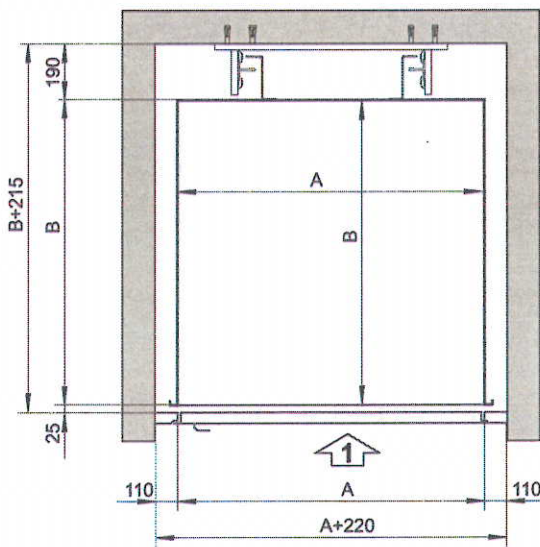
Figure 3. Minimum shaft size (plan)
Without structure: **Fastening on wall.**

N ^o Layout Cabin MTH	A mm				B mm
	Landing Doors layout 1		Landing Doors layout 2		
	Right Side	Left Side	Right Side	Left Side	
1 (layout frontal)	700 - 1200		-	-	700 - 1200
2 (layout lateral)	1000 - 1200	750 - 1200	-	-	
3 (layout lateral)	750 - 1200	1000 - 1200	-	-	
4 (double layout 90°)	-	1000 - 1200	1000 - 1200	-	
5 (double layout 90°)	1000 - 1200	-	-	1000 - 1200	
6 (double layout 180°)	1050 - 1200	750 - 1200	750 - 1200	1050 - 1200	

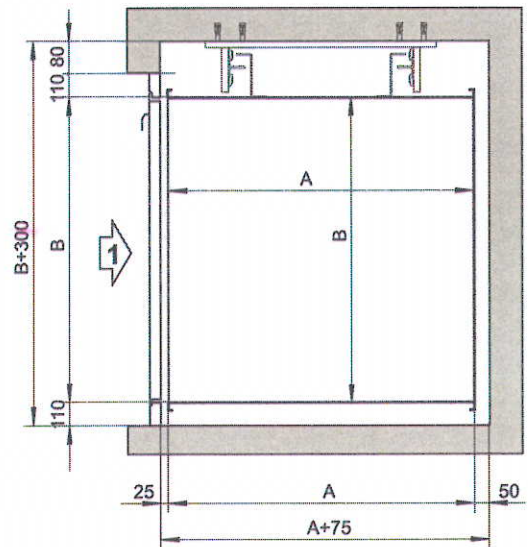
Maximum surface (A x B) = 1.2 m²

(*) 90° Double car are available depending on the boarding access and door hand side opening. Take in to consideration the cam can not be placed at corner frame side.

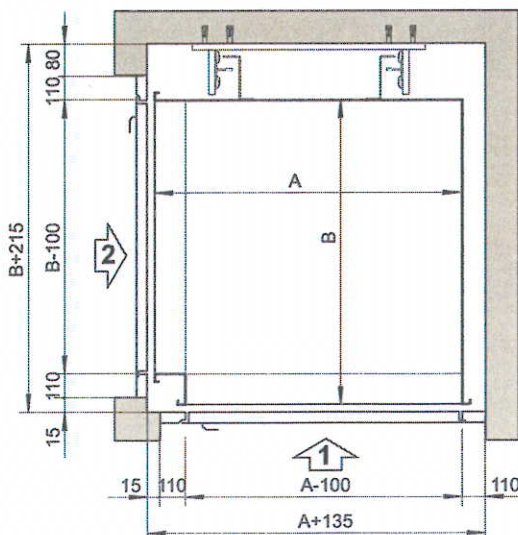
(**) Cam could not be placed at guides side in case of A<1050.



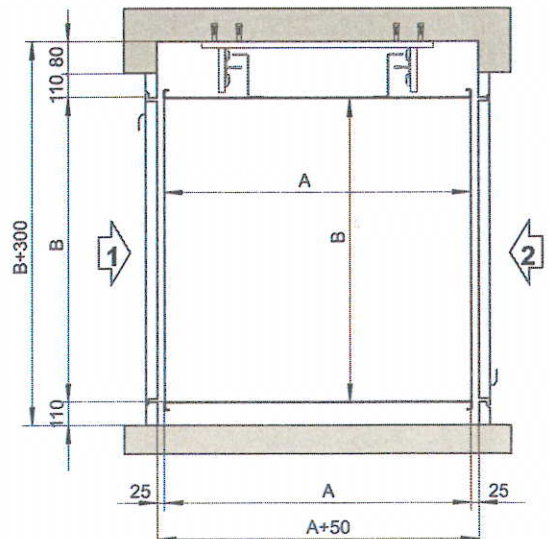
Layout 1



Layout 2-3



Layout 4-5



Layout 6

med skent

Figure 4. Minimum shaft size (plan)
With self-supporting structure

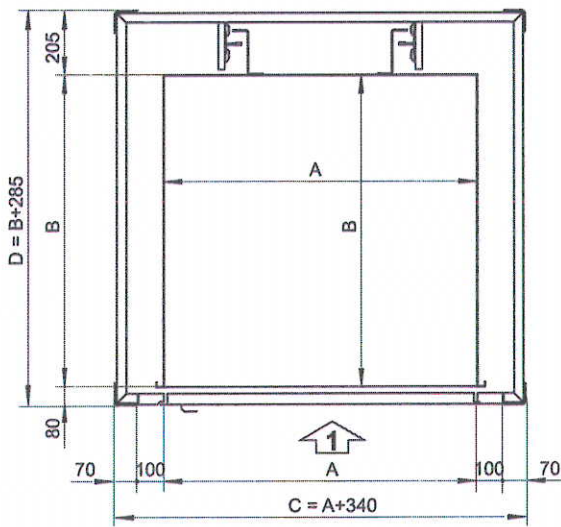
N ^o Layout Cabin MTH	A mm				B mm
	Landing Doors layout 1		Landing Doors layout 2		
	Right Side	Left Side	Right Side	Left Side	
1 (layout frontal)	700 - 1200		-	-	700 - 1200
2 (layout lateral)	1000 - 1200	750 - 1200	-	-	
3 (layout lateral)	750 - 1200	1000 - 1200	-	-	
4 (double layout 90°)	-	1000 - 1200	1000 - 1200	-	
5 (double layout 90°)	1000 - 1200	-	-	1000 - 1200	
6 (double layout 180°)	1050 - 1200	750 - 1200	750 - 1200	1050 - 1200	

Maximum surface (A x B) = 1.2 m²

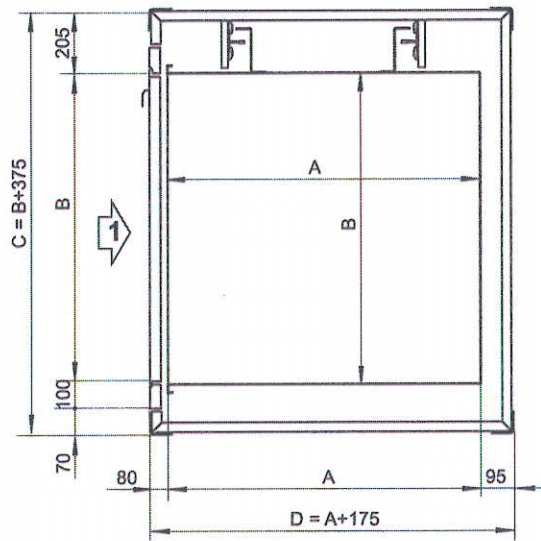
(*) 90 ° Double car are available depending on the boarding access and door hand side opening. Take in to consideration the cam can not be placed at corner frame side.

(**) Cam could not be placed at guides side in case of A<1050.

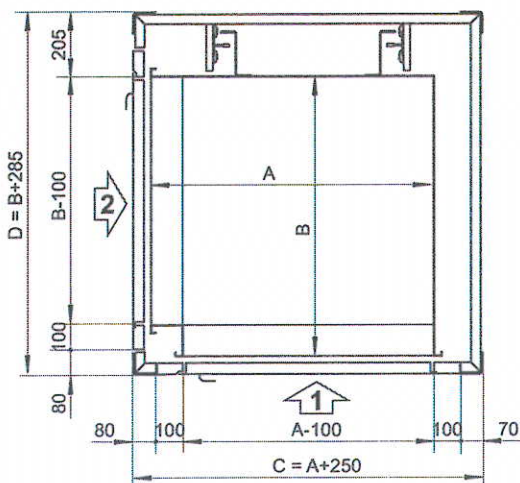
(***) The projection in plant of the landing doors, invades 10 mm the internal projection of the shaft.



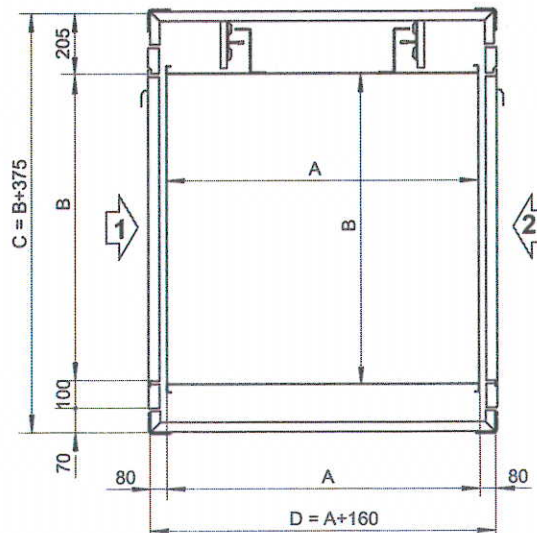
Layout 1



Layout 2 - 3.



Layout 4 - 5



Layout 6